

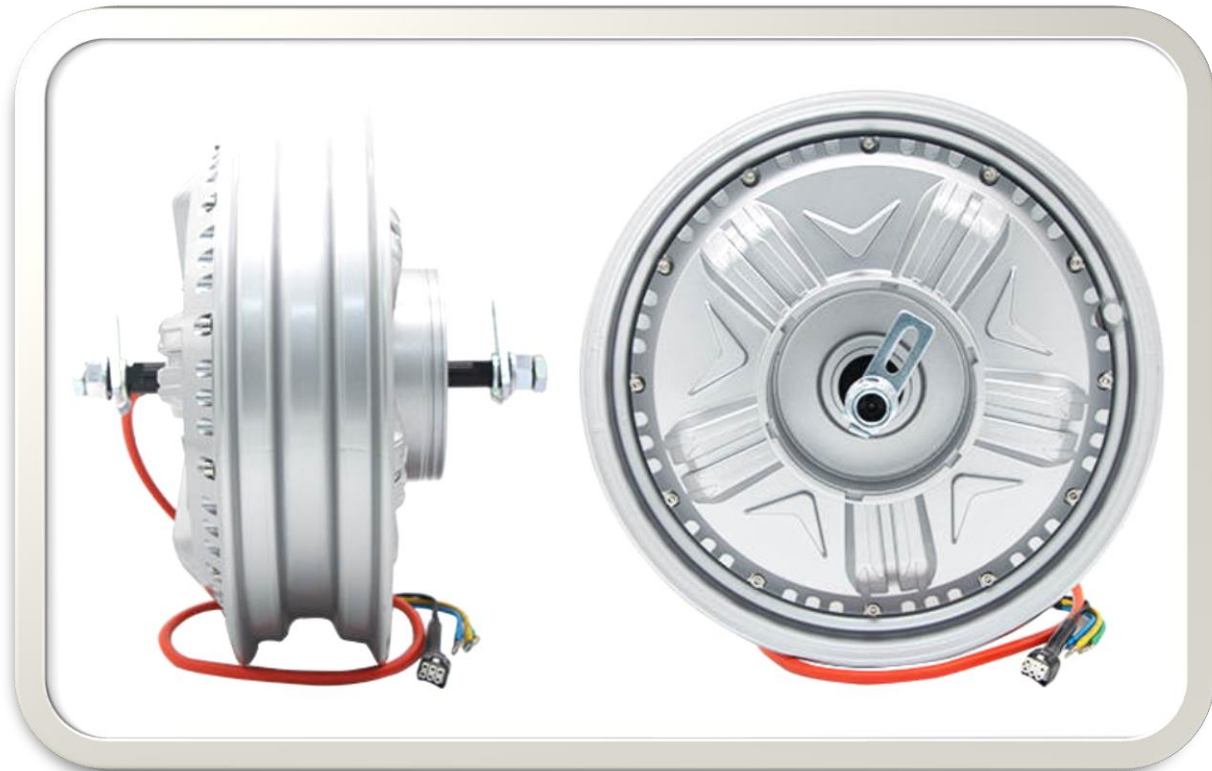


ADB MOTORS

The Hub Motor Manufacturer & Traders.



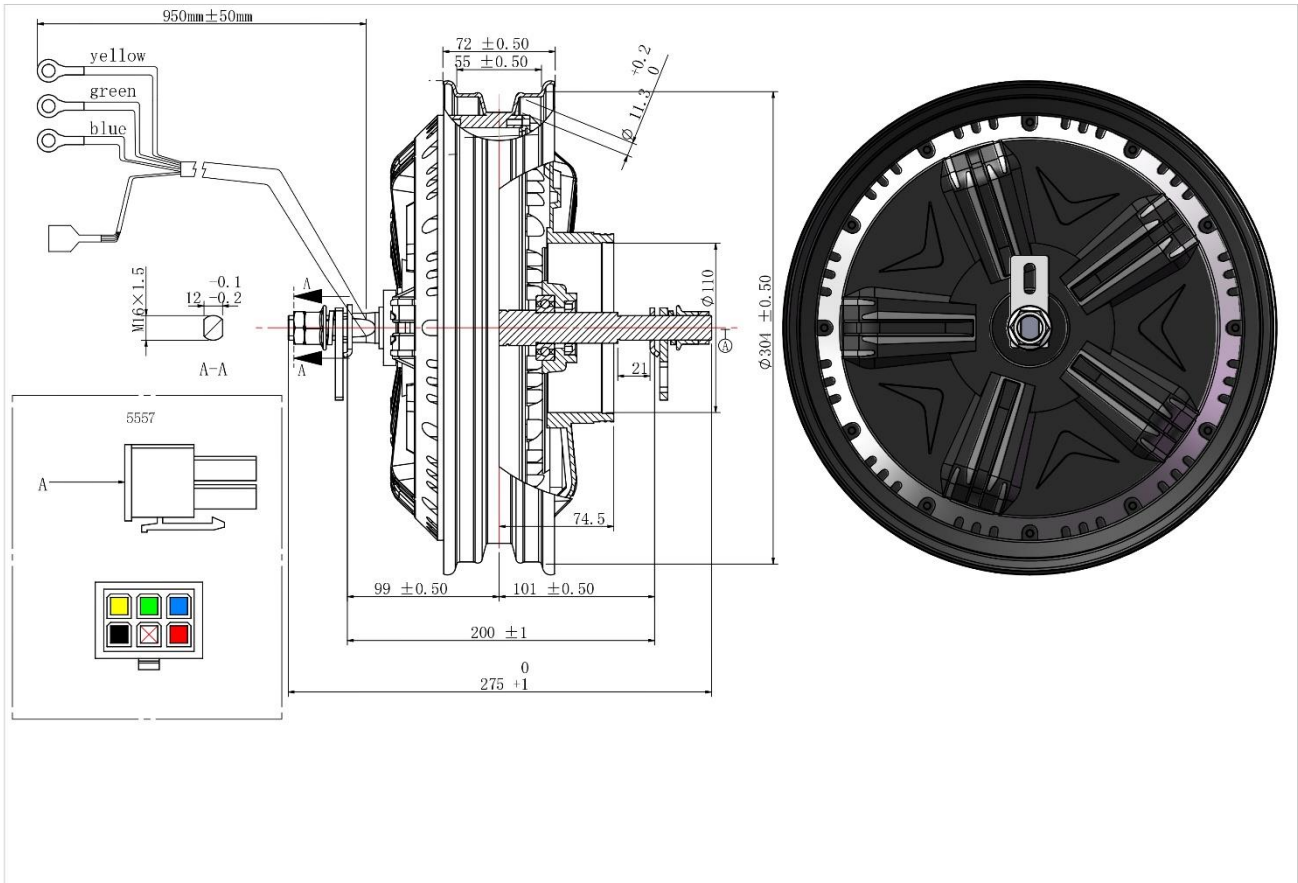
Mode: Classic 1225



General Specifications

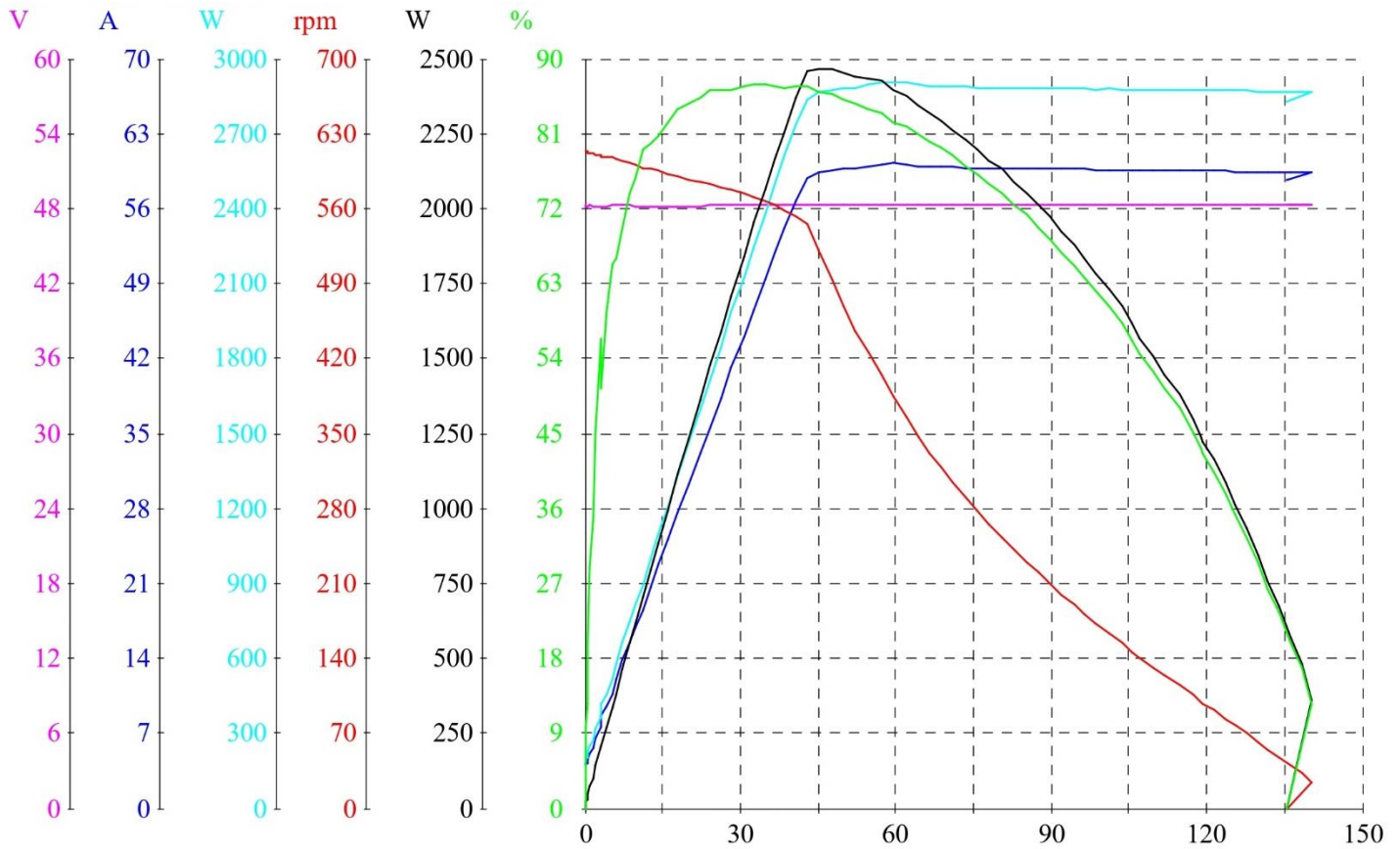
- Rim Size 12"
- Voltage 48/60/72 V
- Ratted Power 2500 W
- Peak Power 4500 W
- Current 40-60 A
- Waterproof IP67
- Max Speed 70-80 Km/h
- RPM 610-910 rpm
- Brake Type: Drum/Disc
- Product Color: Black/ Silver
- Tyre Size:100/100-12, 100/90-12

Dimension Drawing



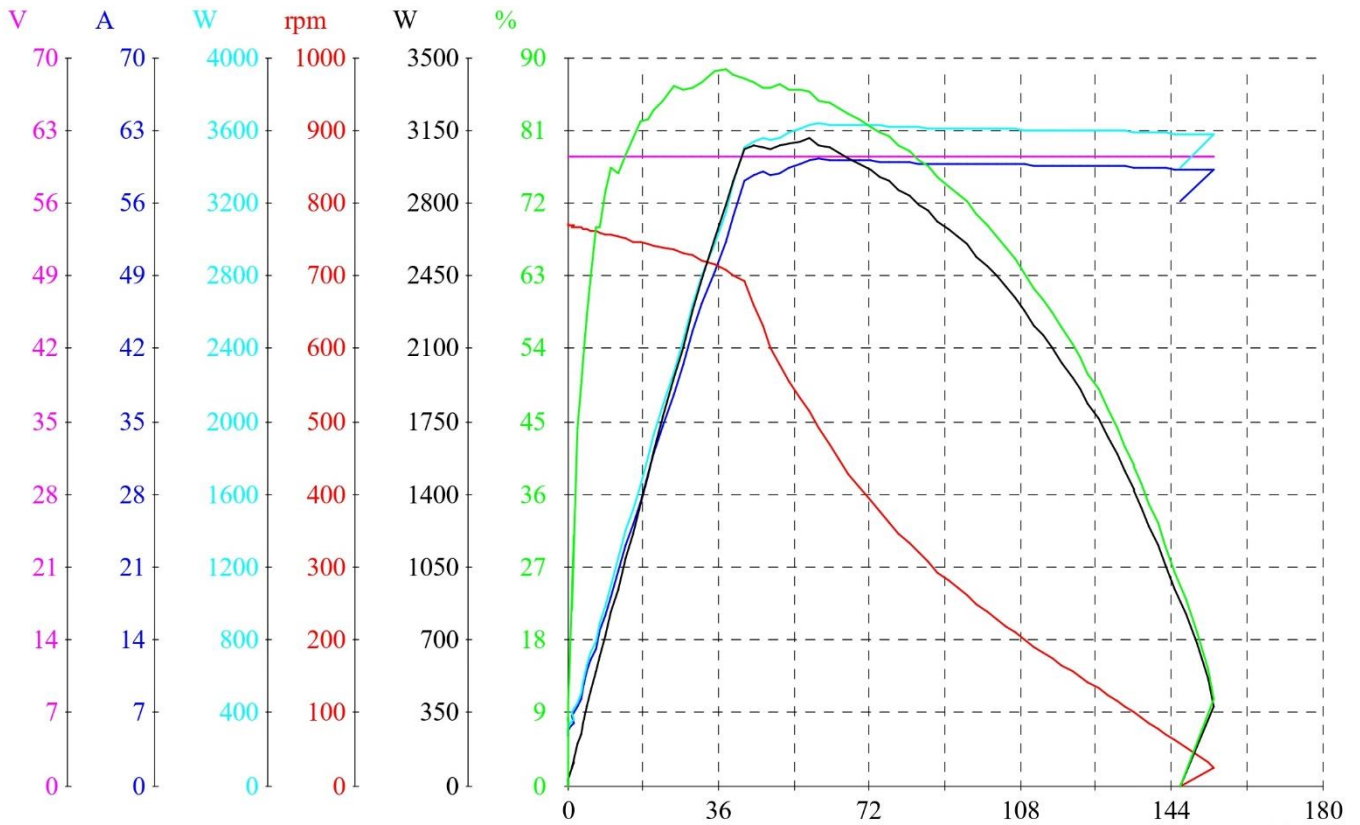
Technical Data

➤ 12” 2500 W 260 48V 35H 613rpm



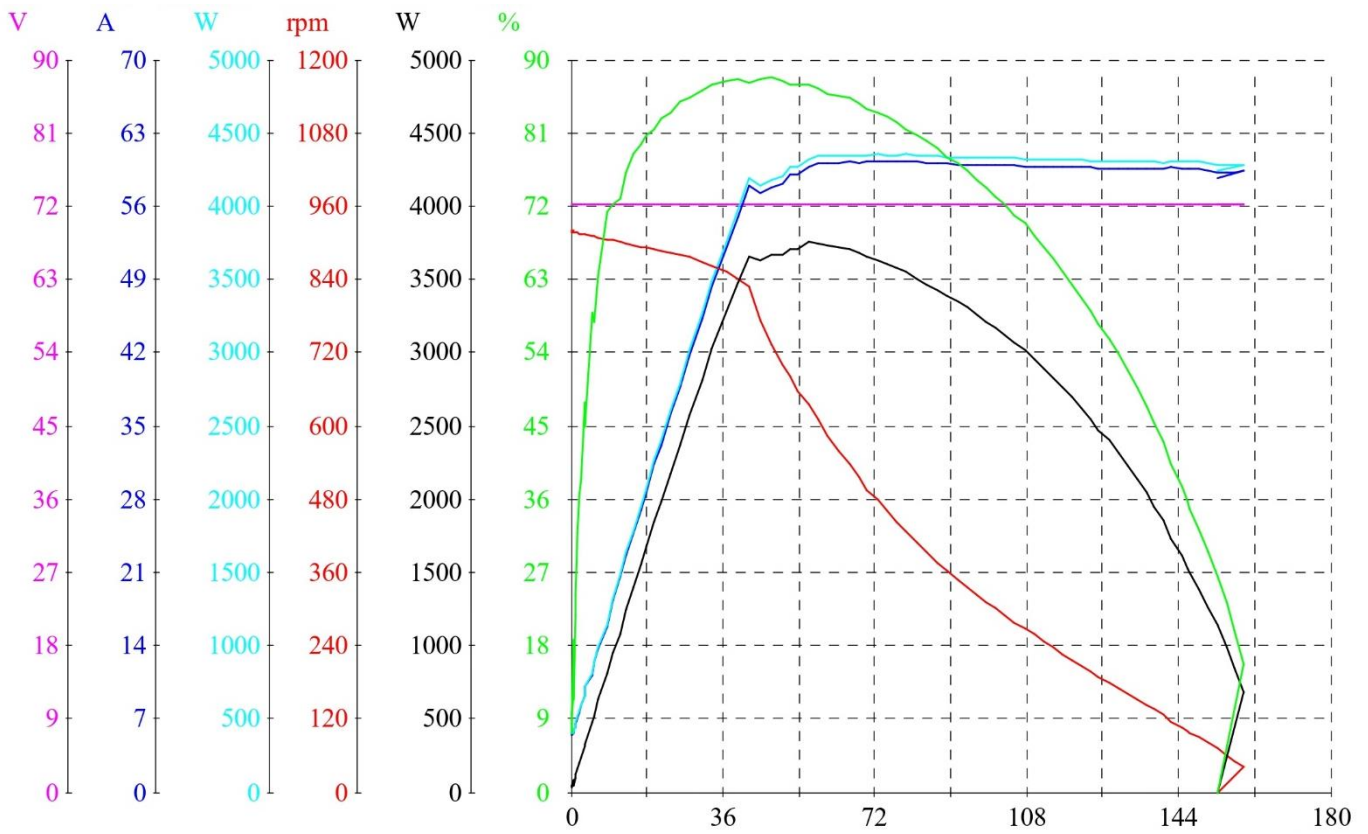
Feature points	Voltage V	Current A	Input Power W	Torque N.m.	Rotating Speed rpm	Output Power W	Efficiency %	Time S
No-load Point	48.20	3.959	190.8	0.0	613.7	0.000	0.0	0.000
Rated Point	48.28	59.52	2874	118.7	100.0	1242	43.2	135.2
Max Efficiency Point	48.23	46.60	2248	32.7	570.6	1954	86.9	59.37
Max Output Point	48.25	59.39	2865	45.2	520.8	2465	86.0	71.45
Max Torque Point	48.28	59.36	2866	140.2	24.4	358.2	12.5	156.0
End Point	48.28	58.59	2829	135.5	0	0	0	158.0

➤ 12” 2500 W 260 60V 35H 770rpm



Feature points	Voltage V	Current A	Input Power W	Torque N.m.	Rotating Speed rpm	Output Power W	Efficiency %	Time S
No-load Point	60.39	4.666	281.8	0.0	770.5	0.000	0.0	0.000
Rated Point	60.39	59.45	3590	135.2	100.0	1415	39.4	150.1
Max Efficiency Point	60.39	52.21	3153	37.6	708.8	2790	88.5	63.40
Max Output Point	60.39	60.06	3627	57.8	513.5	3108	85.7	81.51
Max Torque Point	60.39	59.24	3577	154.3	23.5	379.6	10.6	168.0
End Point	60.39	56.11	3388	146.1	0	0	0	170.1

➤ 12” 2500 W 260 72V 35H 918rpm



Feature points	Voltage V	Current A	Input Power W	Torque N.m.	Rotating Speed rpm	Output Power W	Efficiency %	Time S
No-load Point	72.25	5.544	400.6	0.5	918.6	48.09	12.0	0.000
Rated Point	72.23	59.61	4306	146.1	100.0	1530	35.6	159.4
Max Efficiency Point	72.24	57.81	4176	47.7	733.8	3665	87.8	71.45
Max Output Point	72.24	59.79	4319	56.4	635.9	3755	86.9	79.50
Max Torque Point	72.23	59.32	4285	159.4	40.6	677.6	15.8	172.1
End Point	72.24	58.65	4236	153.3	0	0	0	174.1



Note:

Contact Details

Add: 3rd Phase, GIDC Vapi

T. Vapi, D. Valsad, Gujarat 396 195

Mail ID: adbmotors77@gmail.com

Mo. No.: +91 90165 44103

Website: www.adbmotors.com

