

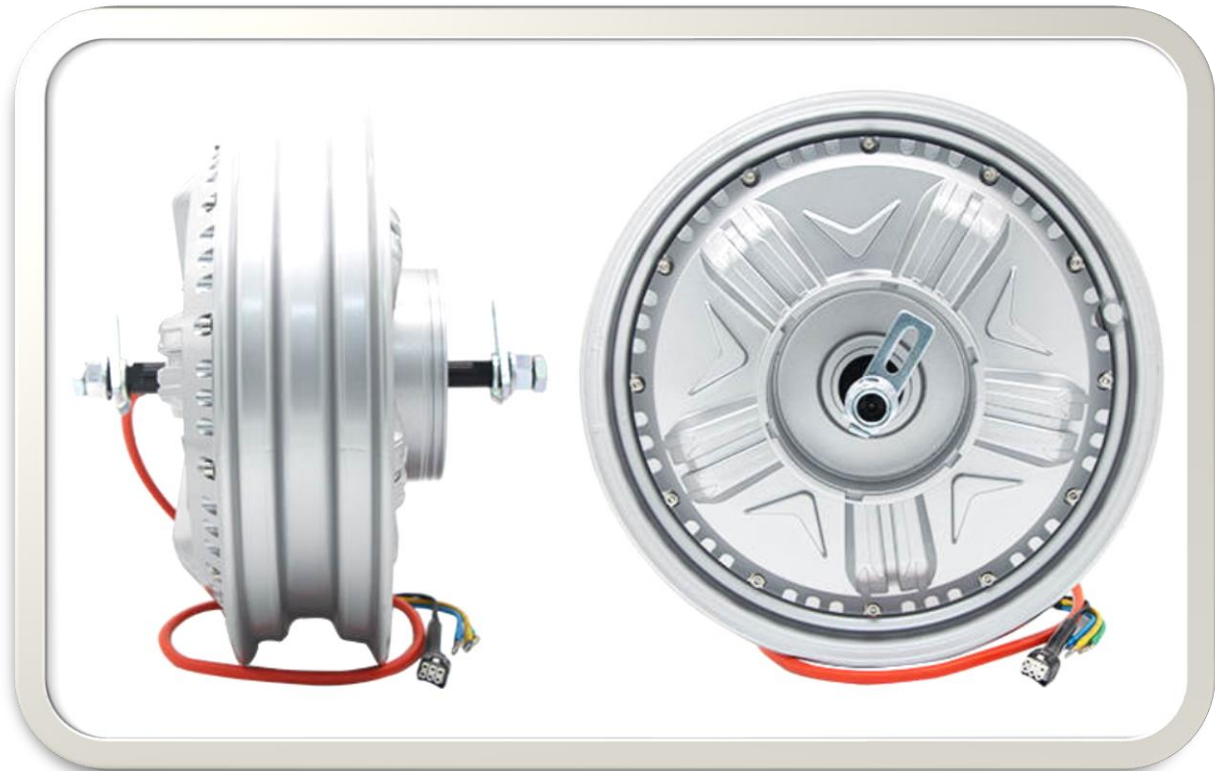


ADB MOTORS

The Hub Motor Manufacturer & Traders.



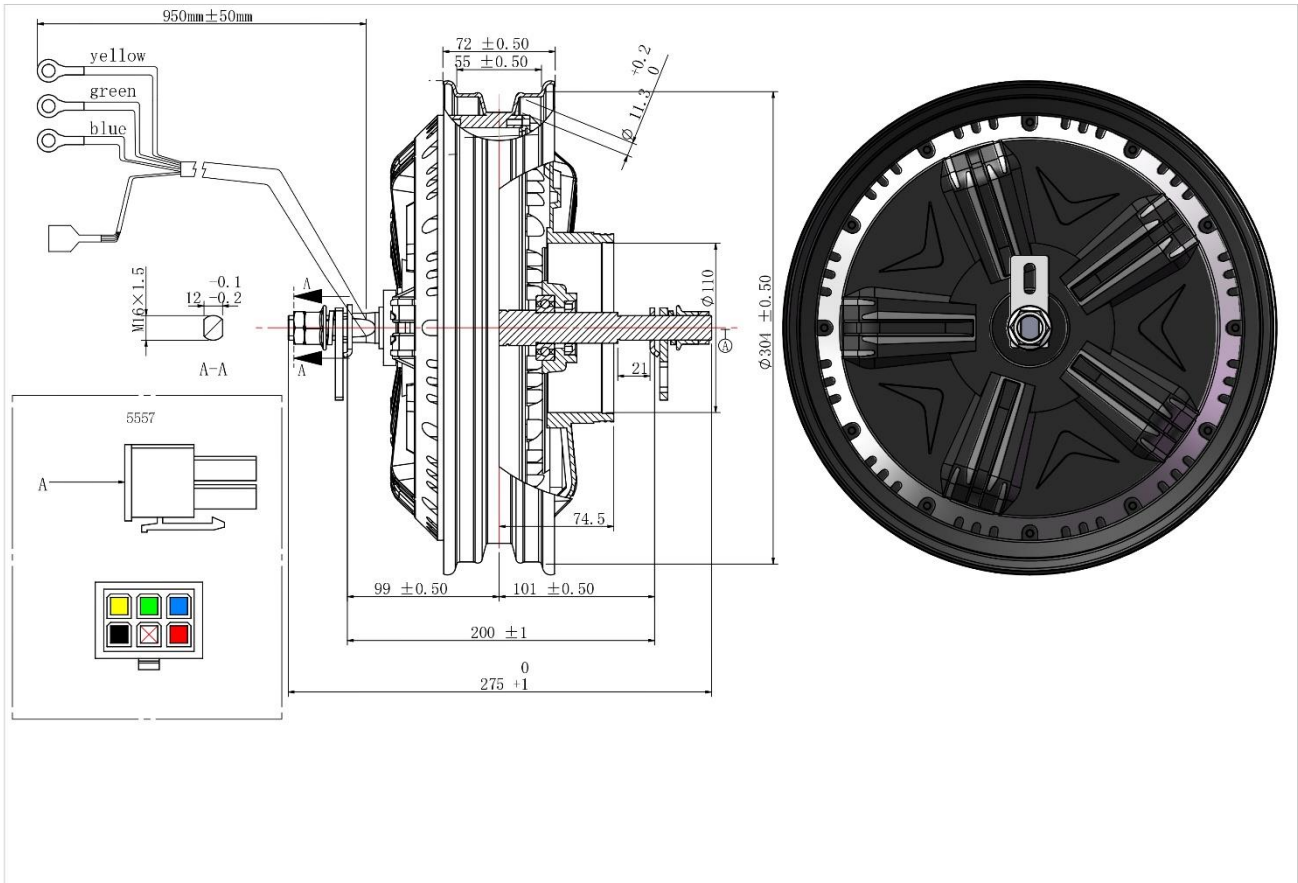
Mode: Classic 1215



General Specifications

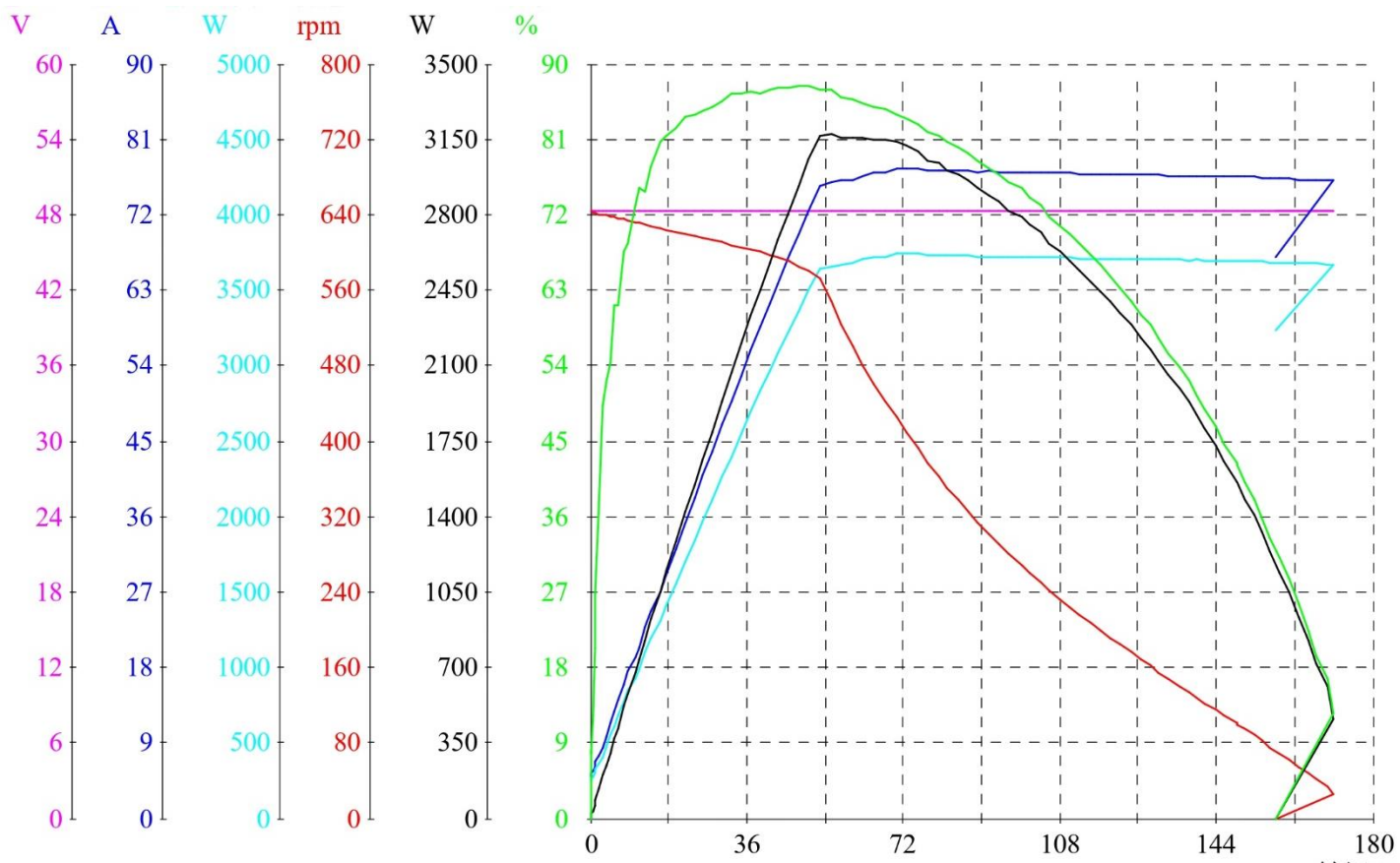
- Rim Size 12"
- Voltage 48/60/72 V
- Rated Power 1500 W
- Peak Power 3500 W
- Current 40-60 A
- Waterproof IP67
- Max Speed 70 Km/h
- RPM 640-960 rpm
- Brake Type: Drum/Disc
- Product Color: Black/ Silver
- Tyre Size: 100/100-12, 100/90-12

Dimension Drawing



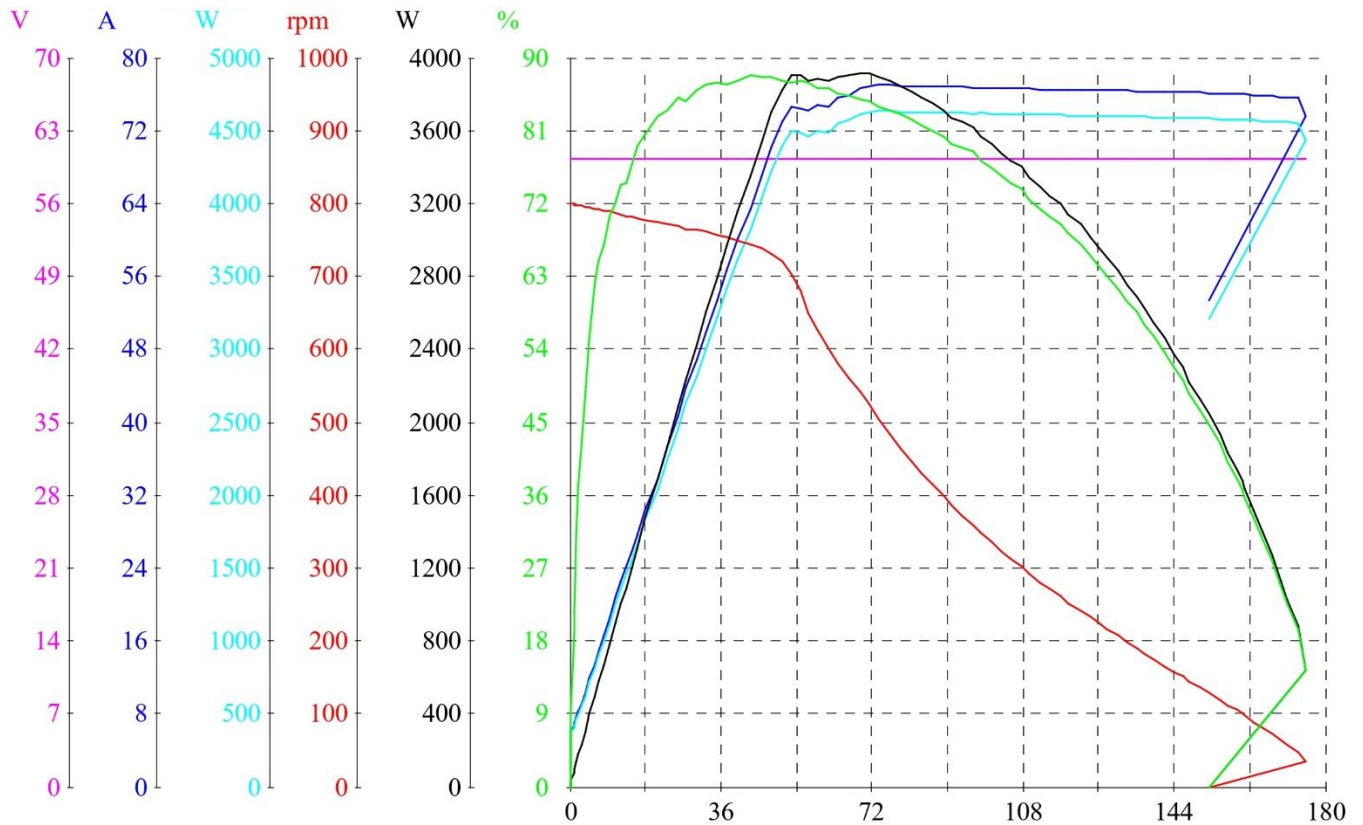
Technical Data

➤ 12” 1500 W 260 48V 40H 643rpm



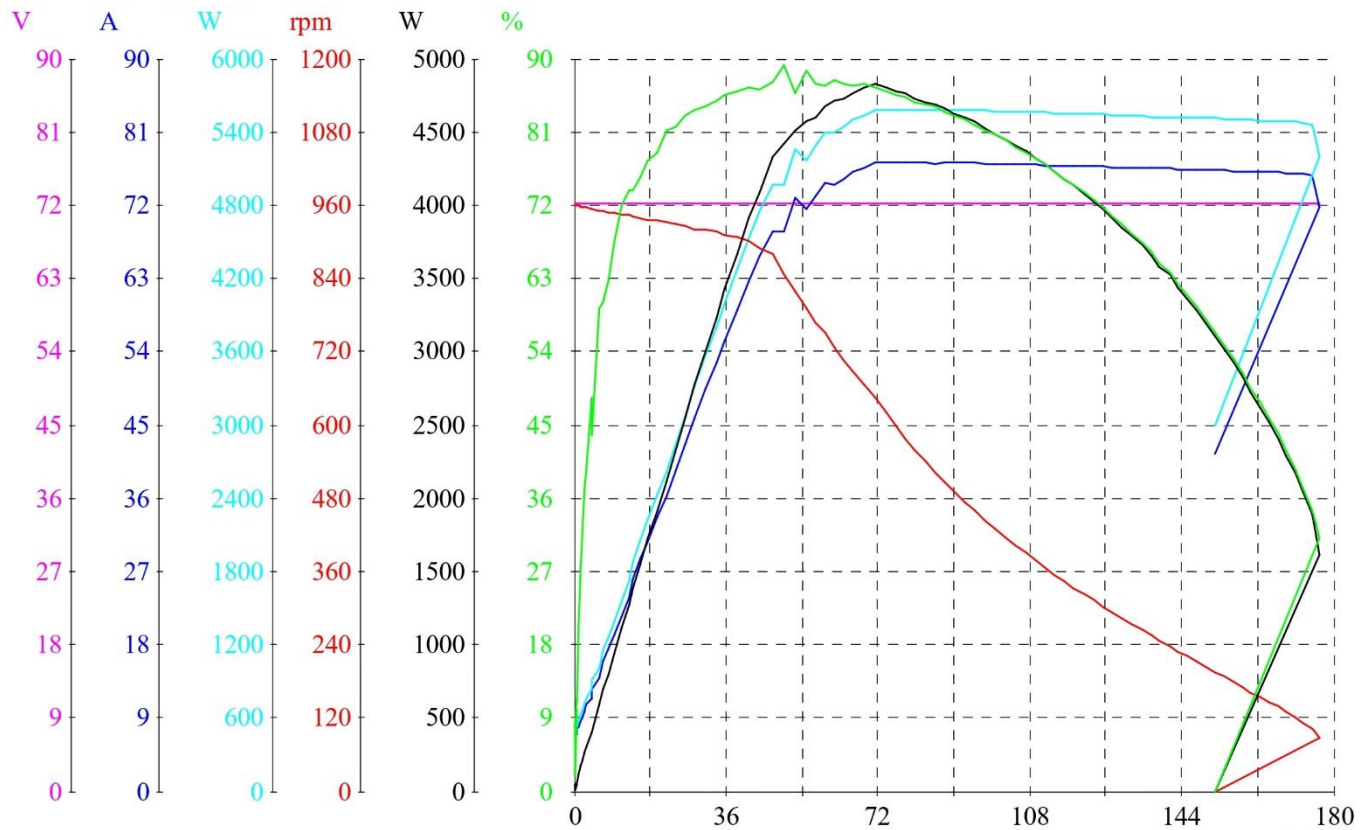
Feature points	Voltage V	Current A	Input Power W	Torque N.m.	Rotating Speed rpm	Output Power W	Efficiency %	Time S
No-load Point	48.26	5.053	243.9	0.0	643.3	0.000	0.0	0.000
Rated Point	48.27	76.53	3694	148.9	100.0	1558	42.2	160.1
Max Efficiency Point	48.26	69.63	3360	47.9	585.3	2935	87.4	73.46
Max Output Point	48.26	75.84	3660	55.4	547.8	3177	86.8	79.50
Max Torque Point	48.27	76.05	3671	170.9	25.5	456.3	12.4	182.1
End Point	48.28	67.00	3235	157.5	0	0	0	184.1

➤ 12” 1500 W 260 60V 40H 799rpm



Feature points	Voltage V	Current A	Input Power W	Torque N.m.	Rotating Speed rpm	Output Power W	Efficiency %	Time S
No-load Point	60.23	5.669	341.4	0.2	799.7	16.75	4.9	0.000
Rated Point	60.22	75.98	4576	160.1	100.0	1676	36.6	169.3
Max Efficiency Point	60.22	63.41	3819	43.0	744.5	3352	87.8	67.42
Max Output Point	60.22	76.59	4613	69.0	542.3	3918	84.9	89.56
Max Torque Point	60.22	73.57	4430	175.3	34.5	633.2	14.3	184.1
End Point	60.23	53.37	3214	152.2	0	0	0	186.2

➤ 12” 1500 W 260 72V 40H 960rpm



Feature points	Voltage V	Current A	Input Power W	Torque N.m.	Rotating Speed rpm	Output Power W	Efficiency %	Time S
No-load Point	72.26	6.849	494.9	0.4	960.0	40.20	8.1	0.000
Rated Point	72.25	74.82	5406	175.2	100.0	1834	33.9	184.5
Max Efficiency Point	72.26	68.65	4960	49.8	847.5	4419	89.1	73.46
Max Output Point	72.25	77.24	5581	71.6	644.3	4830	86.5	91.57
Max Torque Point	72.25	71.84	5191	176.8	87.2	1614	31.1	186.2
End Point	72.26	41.40	2991	152.1	0	0	0	188.2



Note:

Contact Details

Add: 3rd Phase, GIDC Vapi

T. Vapi, D. Valsad, Gujarat 396 195

Mail ID: adbmotors77@gmail.com

Mo. No.: +91 90165 44103

Website: www.adbmotors.com

