

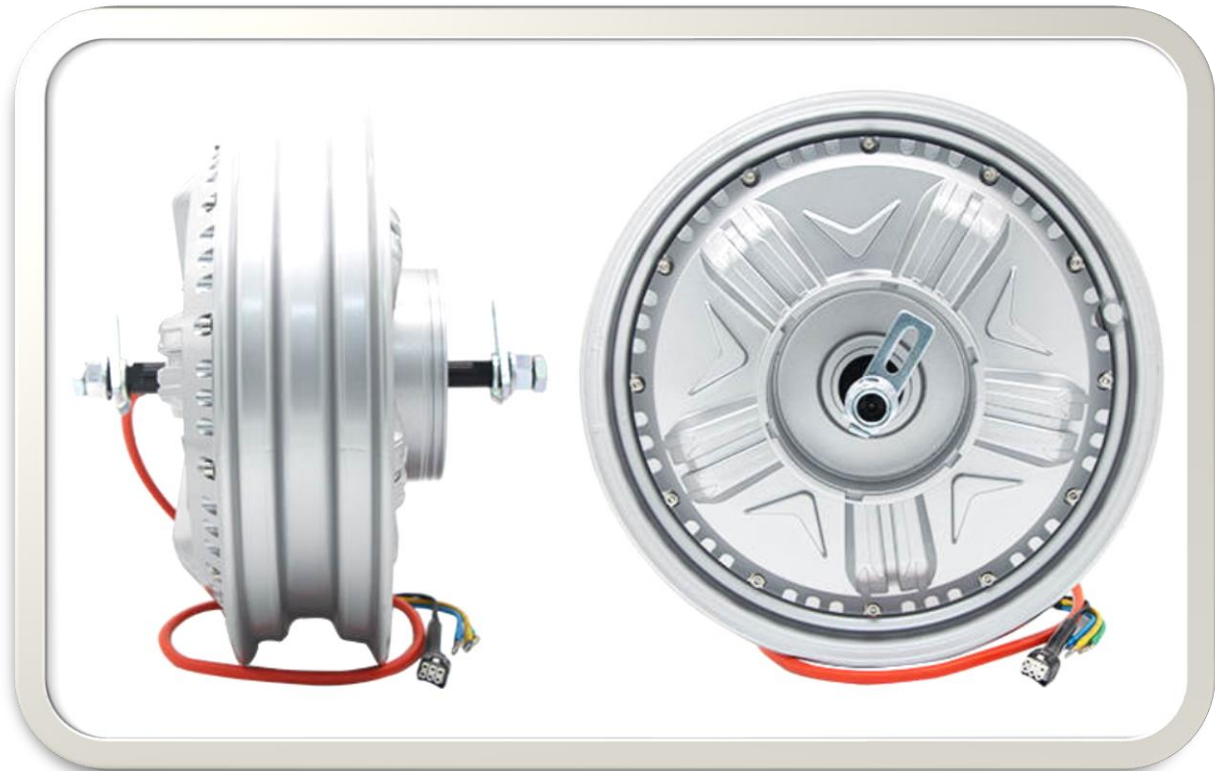


# ADB MOTORS

The Hub Motor Manufacturer & Traders.

Mode: Classic 1015

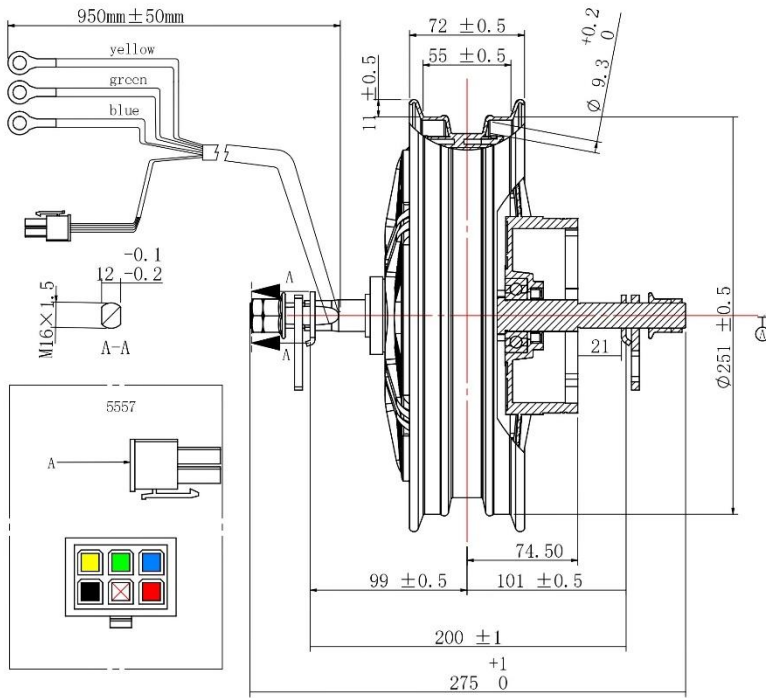




## General Specifications

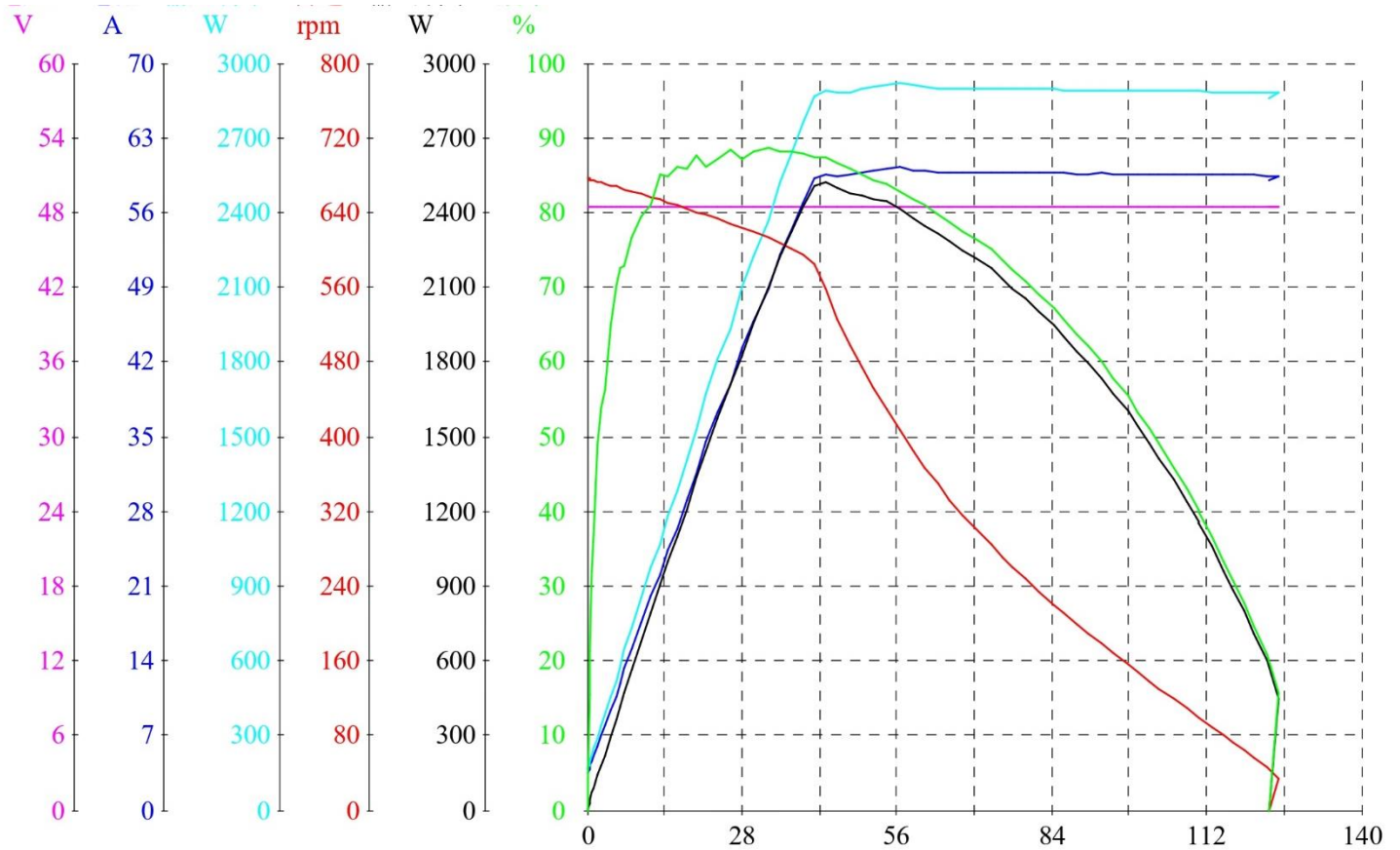
- Rim Size 10"
- Voltage 48/60/72 V
- Rated Power 1500 W
- Peak Power 2000 W
- Current 40-60 A
- Waterproof IP67
- Max Speed 70 Km/h
- RPM 676-1004 rpm
- Brake Type: Drum/Disc
- Product Color: Black/ Silver
- Tyre Size:90/90-10

# Dimension Drawing



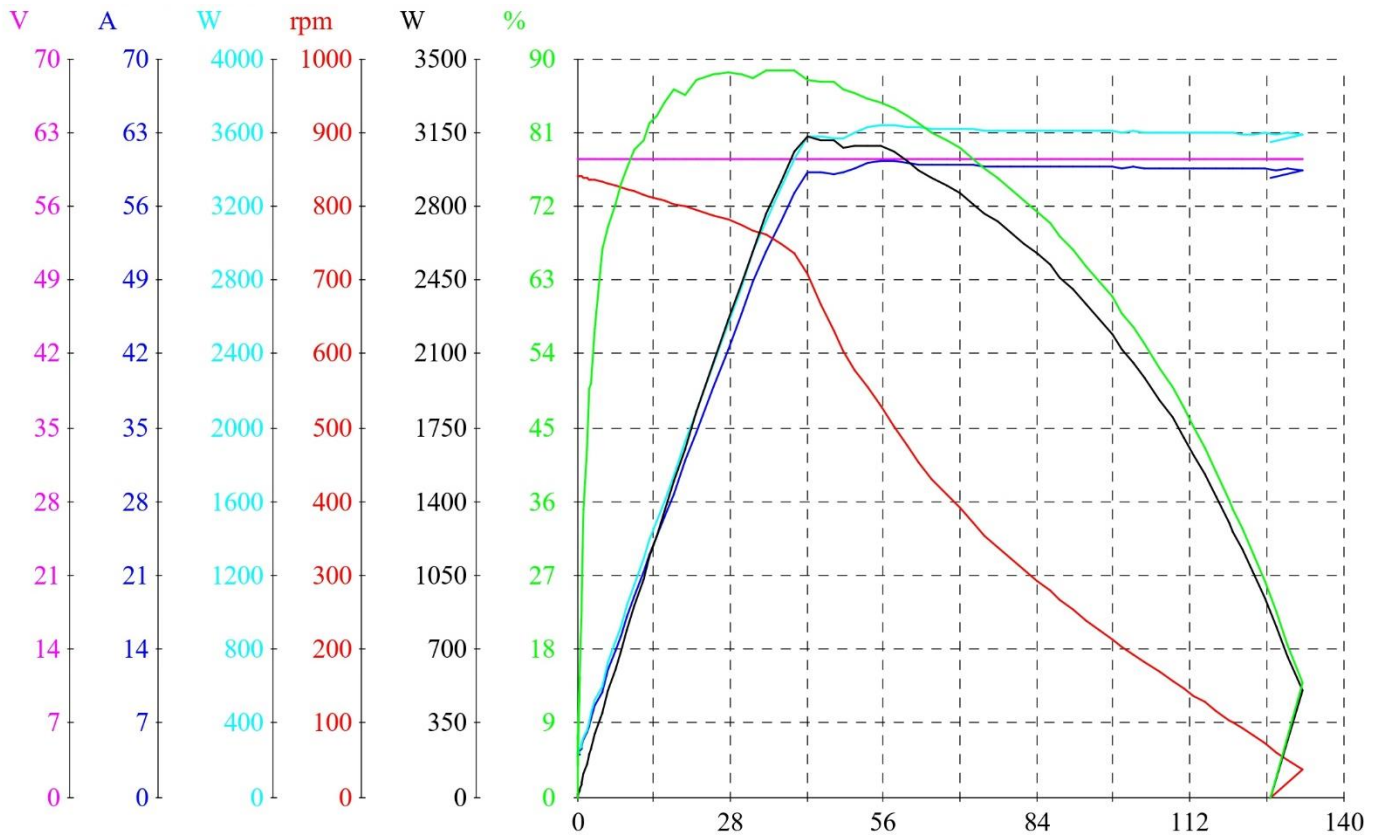
# Technical Data

➤ 10” 1500 W 213 48V 40H 676rpm



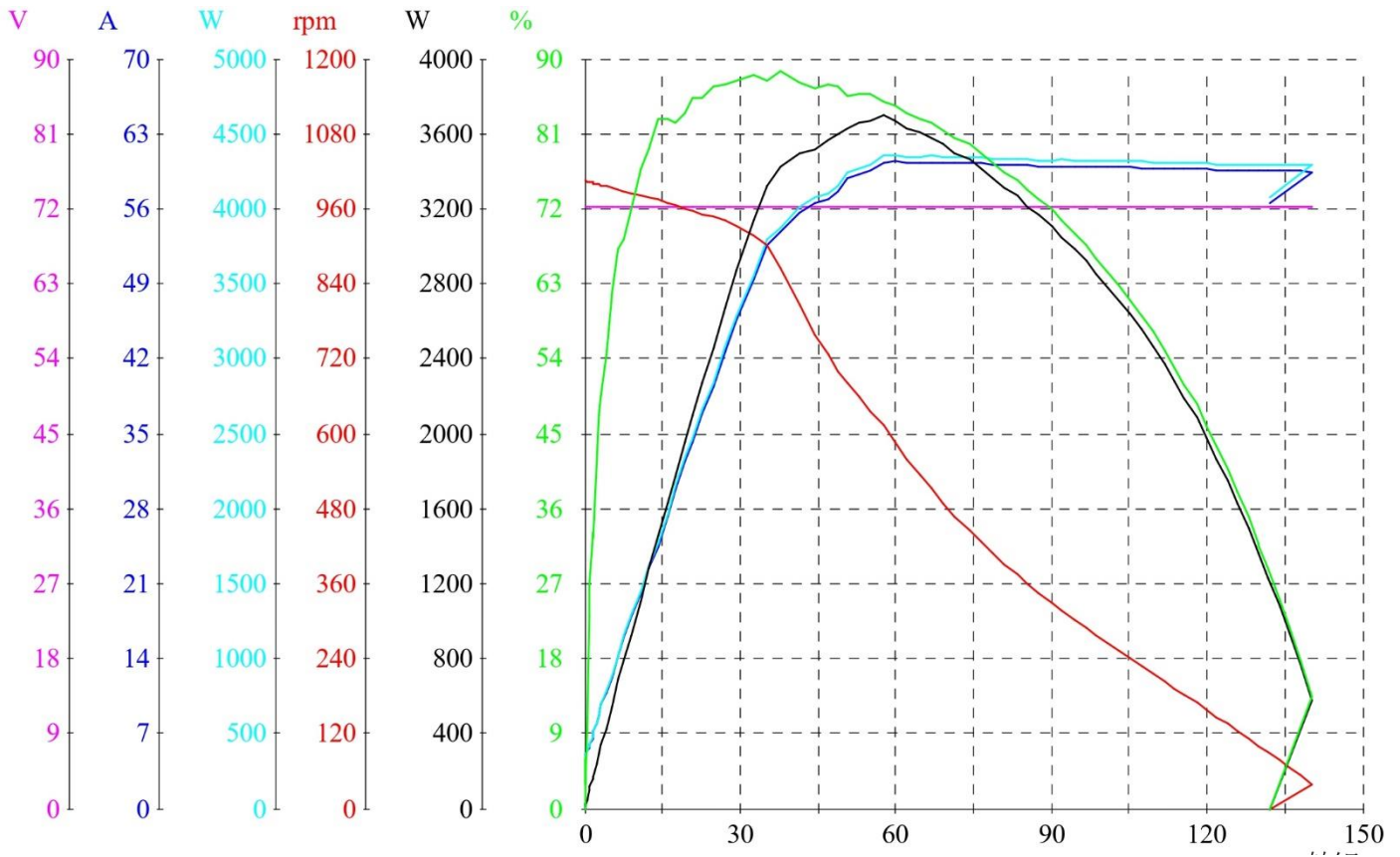
| Feature points       | Voltage V | Current A | Input Power W | Torque N.m. | Rotating Speed rpm | Output Power W | Efficiency % | Time S |
|----------------------|-----------|-----------|---------------|-------------|--------------------|----------------|--------------|--------|
| No-load Point        | 48.49     | 3.466     | 168.0         | 0.0         | 676.5              | 0.000          | 0.0          | 0.000  |
| Rated Point          | 48.48     | 59.57     | 2888          | 110.6       | 100.0              | 1157           | 40.1         | 129.7  |
| Max Efficiency Point | 48.48     | 48.89     | 2370          | 32.7        | 613.9              | 2102           | 88.7         | 59.37  |
| Max Output Point     | 48.47     | 59.60     | 2889          | 43.2        | 557.3              | 2521           | 87.3         | 69.44  |
| Max Torque Point     | 48.47     | 59.44     | 2881          | 125.0       | 34.5               | 451.5          | 15.7         | 143.9  |
| End Point            | 48.48     | 58.96     | 2858          | 123.2       | 0                  | 0              | 0            | 145.9  |

➤ 10” 1500 W 213 60V 40H 840rpm



| Feature points       | Voltage V | Current A | Input Power W | Torque N.m. | Rotating Speed rpm | Output Power W | Efficiency % | Time S |
|----------------------|-----------|-----------|---------------|-------------|--------------------|----------------|--------------|--------|
| No-load Point        | 60.38     | 3.916     | 236.5         | 0.0         | 840.6              | 0.000          | 0.0          | 0.000  |
| Rated Point          | 60.38     | 59.51     | 3593          | 120.0       | 100.0              | 1256           | 35.0         | 136.5  |
| Max Efficiency Point | 60.38     | 57.27     | 3458          | 39.7        | 736.5              | 3061           | 88.5         | 65.41  |
| Max Output Point     | 60.38     | 59.23     | 3576          | 42.2        | 707.7              | 3127           | 87.4         | 67.42  |
| Max Torque Point     | 60.38     | 59.40     | 3586          | 132.7       | 36.2               | 503.0          | 14.0         | 147.9  |
| End Point            | 60.38     | 58.73     | 3546          | 126.7       | 0                  | 0              | 0            | 149.9  |

➤ 10” 1500 W 213 72V 40H 1004rpm



| Feature points       | Voltage V | Current A | Input Power W | Torque N.m. | Rotating Speed rpm | Output Power W | Efficiency % | Time S |
|----------------------|-----------|-----------|---------------|-------------|--------------------|----------------|--------------|--------|
| No-load Point        | 72.12     | 4.887     | 352.4         | 0.0         | 1004.5             | 0.000          | 0.0          | 0.000  |
| Rated Point          | 72.10     | 59.58     | 4296          | 129.9       | 100.0              | 1360           | 31.6         | 148.0  |
| Max Efficiency Point | 72.11     | 53.77     | 3877          | 37.9        | 863.8              | 3428           | 88.4         | 65.41  |
| Max Output Point     | 72.11     | 60.33     | 4350          | 57.6        | 612.6              | 3694           | 84.9         | 81.51  |
| Max Torque Point     | 72.10     | 59.45     | 4286          | 140.4       | 39.1               | 574.8          | 13.4         | 158.0  |
| End Point            | 72.10     | 56.43     | 4069          | 132.1       | 0                  | 0              | 0            | 160.0  |



Note:

## Contact Details

Add: 3<sup>rd</sup> Phase, GIDC Vapi

T. Vapi, D. Valsad, Gujarat 396 195

Mail ID: [adbmotors77@gmail.com](mailto:adbmotors77@gmail.com)

Mo. No.: +91 90165 44103

Website: [www.adbmotors.com](http://www.adbmotors.com)

